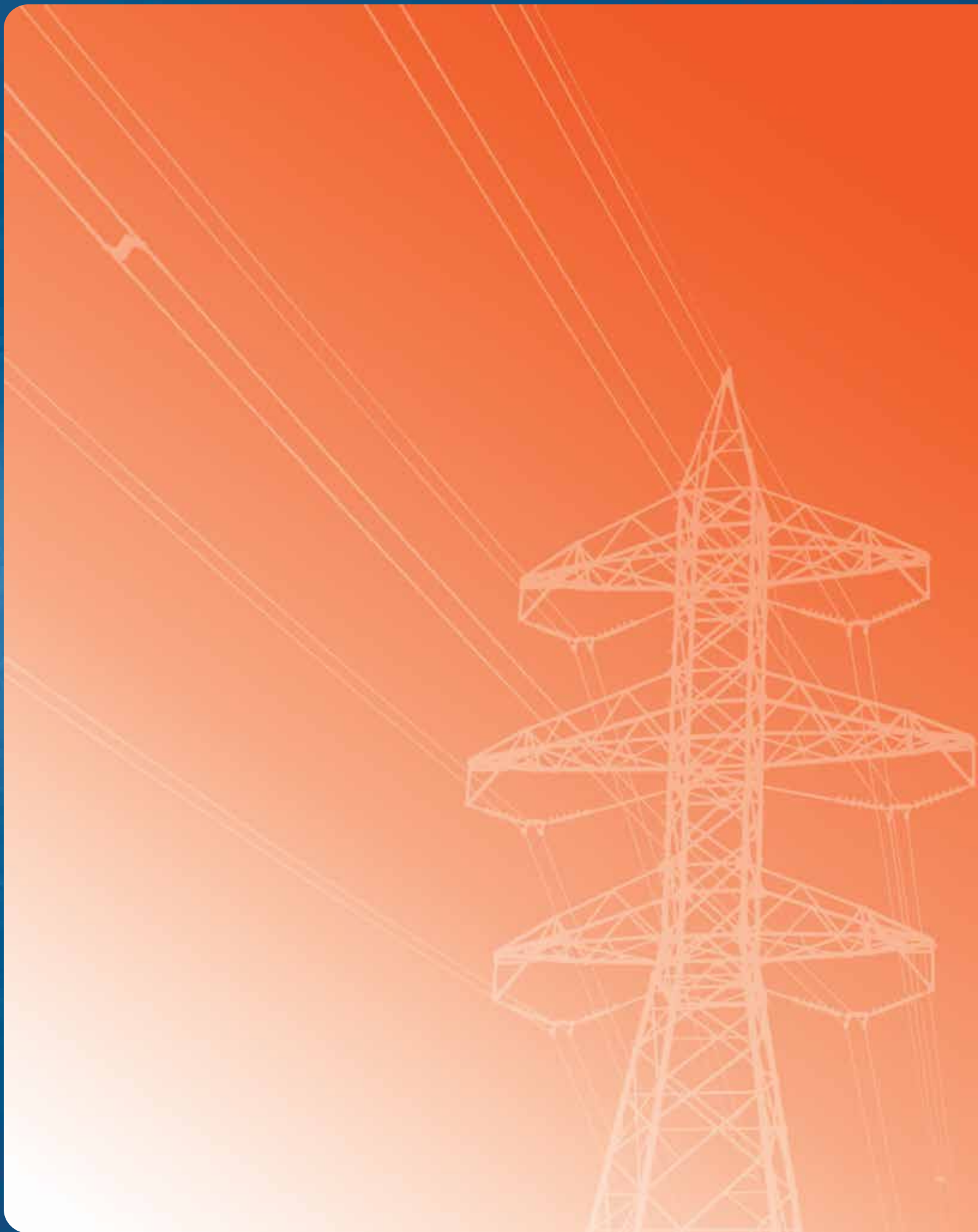




**HiTemp[®] Series
Accessories for 3M[™] ACCR**



3M™ ACCR Conductor

Strong, Lightweight, High Capacity

3M Aluminum Conductor Composite Reinforced (ACCR) is an all-aluminum-based conductor designed to as much as double transmission capacity, even in challenging situations and environments. The tremendous advantages of 3M ACCR are due to innovations in the materials used. Compared to conventional steel core conductors, the 3M ACCR core features higher strength to weight ratio and lower thermal expansion.

These two properties result in lower sag at higher operating temperatures enabling higher ampacities at equivalent tensions and clearances. In addition, the conductor features low creep, higher electrical conductivity (from the aluminum constituent), durability and longevity equivalent to ACSR, and corrosion resistance without coatings and barriers (similar to all-aluminum conductors).

Physical Characteristics

Core Strands

Each strand of 3M ACCR core wire is reinforced with tens of thousands of ultra high-strength aluminum oxide fibers. This type of material is called a fiber reinforced metal matrix composite and confers the properties that make 3M ACCR conductor lightweight, while performing with high strength and low sag at high temperatures. This is because the fiber reinforced metal matrix composite has strength equivalent to steel, with weight (density) similar to aluminum, but with less thermal expansion than steel and strength retention at high temperatures.

Core Property Comparison: ACCR vs. ACSR / ACSS

CONDUCTOR CORE MATERIAL	ACCR ALUMINUM MATRIX	ACSR / ACSS STEEL
Strength (ksi)	200	185
Density (lbs/in ³)	0.122	0.282
Strength/Density	1,681	656
Co-efficient of Thermal Expansion (10 ⁻⁶ /°F)	3.5	6.7

Aluminum Outer Strands

The aluminum strands are composed of an aluminum-zirconium alloy. They are available in both round and trapezoidal shapes. The minimum conductivity of any individual aluminum strand is not less than 60% of the International Annealed Copper Standard (IACS). The aluminum-zirconium strands are a hard drawn aluminum with mechanical properties very similar to 1350-H19 aluminum (23-25 ksi, 158-172 MPa ultimate tensile strength). This is NOT a soft annealed aluminum. The addition of a small amount of zirconium to the aluminum confers the property of heat resistance. That is, the aluminum-zirconium may be heated to high temperatures, without softening (annealing). Thus when the aluminum-zirconium cools to ambient temperatures, it retains its strength.

Conductor Stranding

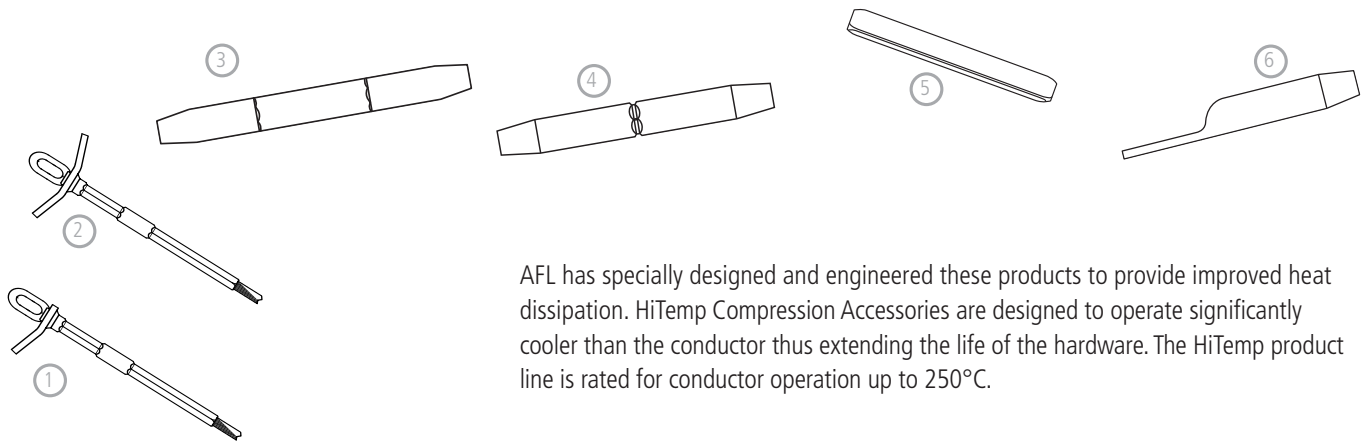
3M ACCR uses constructions that are similar to ACSR, using most of the same dimensions for wire sizes and conductor sizes. Aluminum-zirconium layers are helically stranded using the same lay lengths and lay directions as ACSR. The core wires are also helically stranded. Both the core and outer strands contribute to the strength and conductivity of the conductor.

The result is a solution specifically designed for high-temperature operation – providing dramatic ampacity gains with significantly less sag than standard options.



Close up of 3M ACCR core material, consisting of aluminum oxide fibers embedded in high-purity aluminum.

HiTemp® Accessories for 3M™ ACCR



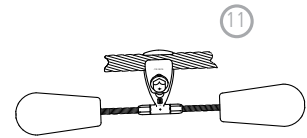
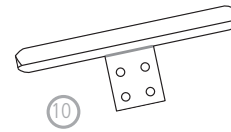
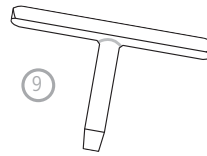
AFL has specially designed and engineered these products to provide improved heat dissipation. HiTemp Compression Accessories are designed to operate significantly cooler than the conductor thus extending the life of the hardware. The HiTemp product line is rated for conductor operation up to 250°C.



REF #	DESCRIPTION	ACCR0336T16	ACCR0397T16	ACCR0477T16	ACCR0557T16	ACCR0636T16
		1	Single Tongue Dead End Eye or Clevis with 15 degree terminal	SE0336T13HT	SE0397T13HT	SE0477T13HT
2	Double Tongue Dead End Eye with 15 degree terminal	DE0336T16HT	DE0397T16HT	DE0477T16HT	DE0557T16HT	DE0636T16HT
3	Joint (Splice)	JT0336T16HT	JT0397T16HT	JT0477T16HT	JT0557T16HT	JT0636T16HT
4	Jumper Connector	JU0336T16HT	JU0397T16HT	JU0477T16HT	JU0557T16HT	JU0636T16HT
5	Repair Sleeve	RS0336T16HT	RS0397T16HT	RS0477T16HT	RS0557T16HT	RS0636T16HT
6	Terminal 0 degree	T000336T16HT	T000397T16HT	T000477T16HT	T000557T16HT	T000636T16HT
7	Terminal 15 degree	T150336T16HT	T150397T16HT	T150477T16HT	T150557T16HT	T150636T16HT
8	Terminal 90 degree	T900336T16HT	T900397T16HT	T900477T16HT	T900557T16HT	T900636T16HT
9	Open Run Tee Connector	TT0C0336T16HT	TT0C0397T16HT	TT0C0477T16HT	TT0C0557T16HT	TT0C0636T16HT
10	Open Run Tee Tap	TTOP0336T16HT	TTOP0397T16HT	TTOP0477T16HT	TTOP0557T16HT	TTOP0636T16HT
11	Stockbridge Damper	1704-6	1704-7	1704-7	1705-8	1706-9

1. All part numbers are for voltages less than 345 kV. 2. Stockbridge damper sizes shown are for applications on bare conductor (without armor rods).

PHYSICAL PROPERTIES		UNIT	LINNET 336	IBIS 397	HAWK 477	DOVE 557	GROSBEAK 636
Designation			ACCR-336-T16	ACCR-397-T16	ACCR-477-T16	ACCR-557-T16	ACCR-636-T16
Stranding			26/7	26/7	26/7	26/7	26/7
Diameter	Individual Core Wire	in	0.089	0.097	0.105	0.116	0.122
	Individual Aluminum Wire	in	0.114	0.125	0.134	0.149	0.156
	Total Core	in	0.267	0.291	0.314	0.347	0.365
	Total Conductor	in	0.724	0.791	0.852	0.941	0.991
Area	Aluminum	in ²	0.267	0.318	0.369	0.450	0.500
	Total Area	in ²	0.310	0.370	0.429	0.524	0.581
Weight	Core	lbs/ft	0.066	0.078	0.090	0.110	0.122
	Aluminum	lbs/ft	0.320	0.382	0.443	0.540	0.599
	Total Weight	lbs/ft	0.385	0.460	0.533	0.650	0.721
Strength		lbs	13,900	16,500	19,200	23,100	25,600



HiTemp Compression Accessories are fabricated from a specially tempered aluminum that will transfer elevated current and dissipate increased heat more efficiently.

The high strength steel eyes and sleeves maintain a permanent connection to the conductor core. The steel will not weaken at elevated temperatures and the entire conductor ensures 95% of the ASTM-rated strength.



CATALOG NUMBERS						
ACCR0795T16	ACCR0954T13	ACCR1033T13	ACCR1113T13	ACCR1272T13	ACCR1351T13	ACCR1590T13
SE0795T16HT	SE0954T13HT	SE1033T13HT	SE1113T13HT	SC1272T13HT	SE1351T13HT	SE1590T13HT
DE0795T16HT	DE0954T13HT	DE1033T13HT	DE1113T13HT	DC1272T13HT	DE1351T13HT	DE1590T13HT
JT0795T16HT	JT0954T13HT	JT1033T13HT	JT1113T13HT	JT1272T13HT	JT1351T13HT	JT1590T13HT
JU0795T16HT	JU0954T13HT	JU1033T13HT	JU1113T13HT	JU1272T13HT	JU1351T13HT	JU1590T13HT
RS0795T16HT	RS0954T13HT	RS1033T13HT	RS1113T13HT	RS1272T13HT	RS1351T13HT	RS1590T13HT
T000795T16HT	T000954T13HT	T001033T13HT	T001113T13HT	T001272T13HT	T001351T13HT	T001590T13HT
T150795T16HT	T150954T13HT	T151033T13HT	T151113T13HT	T151272T13HT	T151351T13HT	T151590T13HT
T900795T16HT	T900954T13HT	T901033T13HT	T901113T13HT	T9012672T13HT	T901351T13HT	T901590T13HT
TT0C0795T16HT	TT0C0954T13HT	TT0C1033T13HT	TT0C1113T13HT	TT0C1272T13HT	TT0C1351T13HT	TT0C1590T13HT
TTOP0795T16HT	TTOP0954T13HT	TTOP1033T13HT	TTOP1113T13HT	TTOP1272T13HT	TTOP1351T13HT	TTOP1590T13HT
1706-10	1706-10	1707-11	1707-11	1707-13	1708-13	1708-14

DRAKE 795	CARDINAL 954	CURLEW 1033	FINCH 1113	PHEASANT 1272	MARTIN 1351	FALCON 1590
ACCR-795-T16	ACCR-954-T13	ACCR-1033-T13	ACCR-1113-T13	ACCR-1272-T13	ACCR-1351-T13	ACCR-1590-T13
26/19	54/19	54/19	54/19	54/19	54/19	54/19
0.083	0.080	0.083	0.086	0.092	0.094	0.103
0.178	0.134	0.139	0.144	0.153	0.157	0.172
0.416	0.402	0.416	0.432	0.460	0.472	0.516
1.128	1.205	1.247	1.295	1.379	1.415	1.547
0.648	0.760	0.814	0.877	0.995	1.048	1.252
0.751	0.856	0.917	0.989	1.121	1.180	1.411
0.154	0.144	0.154	0.166	0.195	0.206	0.245
0.776	0.915	0.980	1.057	1.197	1.260	1.506
0.930	1.059	1.134	1.223	1.392	1.466	1.751
32,200	33,200	35,600	38,400	43,000	45,300	53,600

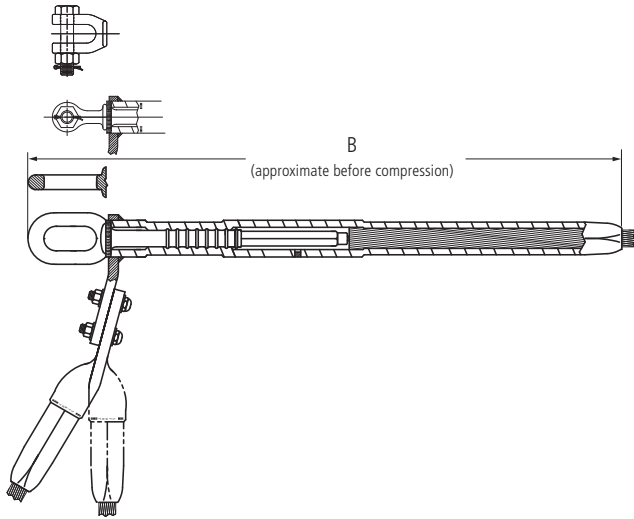
Patent Pending

Compression Dead End for 3M™ ACCR

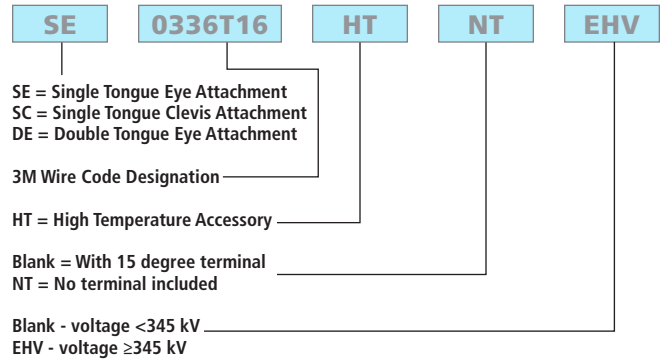
Eye or Clevis Type, Single Tongue

Compression Dead End assemblies for 3M ACCR are specifically designed for 3M's Aluminum Conductor Composite Reinforced product. The aluminum body of the dead end is fabricated from seamless drawn aluminum. The tongue and terminal pad

are constructed with a 15° angle, which permits the terminal connector to be bolted in the straight or 30° position. Each dead end assembly comes with a dead end body, steel eye or clevis, 15° terminal and aluminum hardware.



Catalog Number Configuration



ORDERING EXAMPLE: SE0340T16HTNTHEV

Single eye dead end for conductor code "0340T16", high temperature, no terminal, for 345 kV and above.

CATALOG NUMBER	CONDUCTOR		DIMENSION		DIE SIZE		AFCHT COMPOUND (LBS.)			WEIGHT* (LBS.)
	SIZE	DIA.	B		ALUMINUM	STEEL	DEAD END	TERMINAL	TOTAL	
			IN	MM						
SE0155TWT25HT	155-T25 ACCR/TW	0.471	27.30	693.42	10024AH-ACCR	10014SH-ACCR	0.37	0.12	0.50	8.2
SE0131T58HT	131-T58 ACCR	0.523	27.30	693.42	10024AH-ACCR	10014SH-ACCR	0.37	0.12	0.50	7.9
SE0245TWT20HT	245-T20 ACCR/TW	0.576	28.88	733.55	10024AH-ACCR	10014SH-ACCR	0.38	0.33	0.75	8.5
SE0207T23HT	207-T23 ACCR	0.582	27.30	693.42	10024AH-ACCR	10014SH-ACCR	0.37	0.12	0.50	7.9
SE0236T16HT	236-T16 ACCR	0.603	29.76	755.90	10036AH-ACCR	10014SH-ACCR	0.70	0.10	1.00	18.2
SE0237T23HT	237-T23 ACCR	0.622	27.30	693.42	10024AH-ACCR	10012SH-ACCR	0.37	0.12	0.50	7.9
SE0162T81HT	162-T81 ACCR	0.623	29.06	738.12	10030AH-ACCR	10016SH-ACCR	0.67	0.30	1.00	12.8
SE0267T16HT	267-T16 ACCR	0.630	27.30	693.42	10024AH-ACCR	10014SH-ACCR	0.37	0.12	0.50	7.9
SE0267T23HT	267-T23 ACCR	0.660	27.30	693.42	10024AH-ACCR	10014SH-ACCR	0.37	0.12	0.50	7.9
SE0300T16HT	300-T16 ACCR	0.680	27.30	693.42	10024AH-ACCR	10014SH-ACCR	0.37	0.12	0.50	7.9
SE0270T35HT	270-T35 ACCR	0.693	30.56	776.22	10030AH-ACCR	10014SH-ACCR	0.67	0.30	1.00	13.2
SC0183T114HT	183-T114 ACCR	0.719	35.35	897.89	10034AH-ACCR	10020SH-ACCR	0.67	0.30	1.00	25.3
SE0336T16HT	336-T16 ACCR	0.724	27.30	693.42	10024AH-ACCR	10012SH-ACCR	0.37	0.12	0.50	7.9
SE0373T13HT	373-T13 ACCR	0.748	29.05	737.87	10027AH-ACCR	10014SH-ACCR	0.37	0.10	1.00	12.7
SE0382T16HT	382-T16 ACCR	0.768	29.05	737.87	10027AH-ACCR	10014SH-ACCR	0.37	0.10	1.00	12.7
SE0427T13HT	427-T13 ACCR	0.800	29.06	738.12	C9813-10029AH-ACCR	10014SH-ACCR	0.67	0.30	1.00	12.8
SE0397T23HT	397-T23 ACCR	0.809	30.06	763.52	10030AH-ACCR	10016SH-ACCR	0.67	0.30	1.00	12.3
SE0477T16HT	477-T16 ACCR	0.858	29.06	738.12	10030AH-ACCR	10014SH-ACCR	0.67	0.30	1.00	12.8
SE0477T13HT	477-T13 ACCR	0.860	29.06	738.12	10030AH-ACCR	10014SH-ACCR	0.67	0.30	1.00	12.7
SE0590TWT13HT	590-T13 ACCR/TW	0.860	29.06	738.12	10030AH-ACCR	10014SH-ACCR	0.67	0.30	1.00	12.7
SE0675TWT11HT	675-T11 ACCR/TW	0.902	29.94	760.48	10034AH-ACCR	10014SH-ACCR	0.67	0.30	1.00	26.1
SE0477T23HT	477-T23 ACCR	0.903	37.35	948.69	10036AH-ACCR	10016SH-ACCR	0.75	0.25	1.00	18.1
SE0665TWT16HT	665-T16 ACCR/TW	0.919	30.20	767.08	10034AH-ACCR	10016SH-ACCR	0.67	0.30	1.00	13.5
SE0557T16HT	557-T16 ACCR	0.941	30.06	763.52	10034AH-ACCR	10016SH-ACCR	0.67	0.30	1.00	25.3

* Weight includes terminal. Contact AFL for adjustable dead end options.

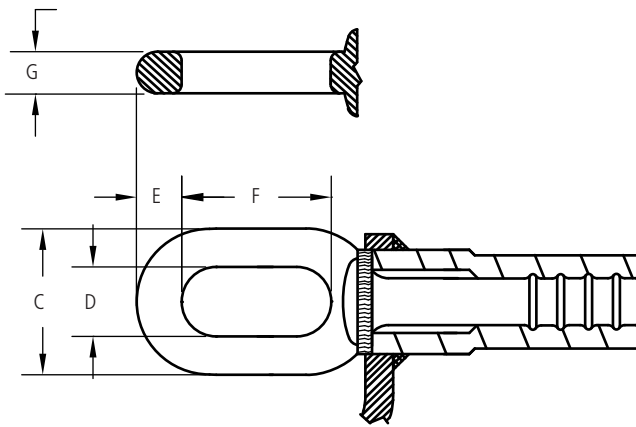
Compression Dead End for 3M™ ACCR

Eye or Clevis Type, Single Tongue

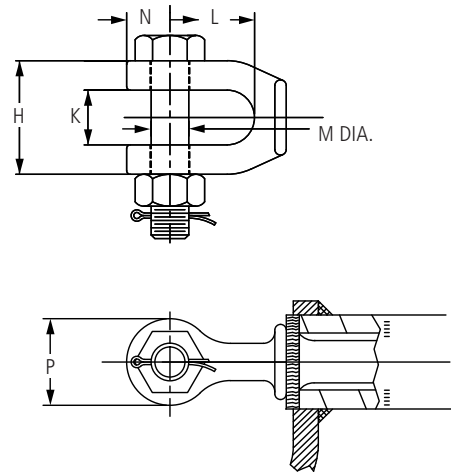
CATALOG NUMBER	CONDUCTOR		DIMENSION		DIE SIZE		AFCHT COMPOUND (LBS.)			WEIGHT* (LBS.)
	SIZE	DIA.	B		ALUMINUM	STEEL	DEAD END	TERMINAL	TOTAL	
			IN	MM						
SE0605T13HT	605-T13 ACCR	0.941	30.06	763.52	10034AH-ACCR	10014SH-ACCR	0.67	0.30	1.00	14.8
SE0636T10HT	636-T10 ACCR	0.962	30.31	769.87	10036AH-ACCR	10014SH-ACCR	0.66	0.10	1.00	17.8
SE0557T23HT	557-T23 ACCR	0.970	30.31	769.87	10036AH-ACCR	10018SH-ACCR	0.66	0.10	1.00	17.8
SE0636T16HT	636-T16 ACCR	0.990	30.06	763.52	10034AH-ACCR	10016SH-ACCR	0.67	0.30	1.00	25.3
SE0636T16HTSP1	636-T16 ACCR	0.990	30.06	763.52	10034AH-ACCR	10016SH-ACCR	0.67	0.30	1.00	25.7
SE0795TWT13HT	795-T13 ACCR/TW	0.992	30.56	776.22	10040AH-ACCR	10016SH-ACCR	1.00	0.54	1.50	26.2
SE0763TWT17HT	763-T17 ACCR/TW	0.996	30.56	776.22	10040AH-ACCR	10018SH-ACCR	1.00	0.54	1.50	26.3
SE0680T19HT	680-T19 ACCR	1.039	30.31	769.87	10036AH-ACCR	10016SH-ACCR	0.66	0.10	1.00	17.8
SE0715T13HT	715-T13 ACCR	1.040	30.06	763.52	10034AH-ACCR	10016SH-ACCR	0.67	0.30	1.00	25.3
SE0715T16HT	715-T16 ACCR	1.050	30.06	763.52	10034AH-ACCR	10016SH-ACCR	0.67	0.30	1.00	25.3
SE0780T10HT	780-T10 ACCR	1.067	30.06	763.52	10034AH-ACCR	10014SH-ACCR	0.67	0.30	1.00	25.3
SC0958TWT16HT	958-T16 ACCR/TW	1.099	37.07	941.58	10042AH-ACCR	10020SH-ACCR	1.50	0.66	2.20	34.4
SE0958TWT16HT	958-T16 ACCR/TW	1.099	36.30	922.02	10042AH-ACCR	10020SH-ACCR	1.50	0.66	2.20	30.1
SE0795T16HT	795-T16 ACCR	1.108	30.56	776.22	10040AH-ACCR	10018SH-ACCR	1.00	0.54	1.50	26.2
SE0795T13HT	795-T13 ACCR	1.112	30.56	776.22	10040AH-ACCR	10016SH-ACCR	1.00	0.54	1.50	26.2
SE1033TWT13HT	1033-T13 ACCR/TW	1.129	34.31	871.47	10044AH-ACCR	10018SH-ACCR	1.00	0.54	1.50	30.3
SE0558T73HT	558-T73 ACCR	1.132	45.71	1161.03	10048AH-ACCR	10024SH-ACCR	1.50	0.66	2.20	41.1
SC0788T26HT	788-T26 ACCR	1.151	46.28	1175.51	10042AH-ACCR	10020SH-ACCR	1.50	-	1.50	32.4
SE0951T10HT	951-T10 ACCR	1.178	46.28	1175.51	10042AH-ACCR	10016SH-ACCR	1.50	0.30	1.50	18.9
SE0668T61HT	668-T61 ACCR	1.195	46.31	1176.27	10048AH-ACCR	10024SH-ACCR	1.50	0.66	2.20	41.5
SE0954T13HT	954-T13 ACCR	1.200	37.27	946.66	10042AH-ACCR	10018SH-ACCR	1.00	0.50	1.50	30.6
SE1158TWT13HT	1158-T13 ACCR/TW	1.201	33.06	839.72	10044AH-ACCR	10018SH-ACCR	1.00	0.54	1.50	30.3
SE1059T09HT	1059-T9 ACCR	1.238	33.06	839.72	10044AH-ACCR	10016SH-ACCR	1.00	0.54	1.50	30.3
SE1033T13HT	1033-T13 ACCR	1.240	34.31	871.47	10044AH-ACCR	10018SH-ACCR	1.00	0.54	1.50	30.3
SE1113T13HT	1113-T13 ACCR	1.290	33.06	839.72	10044AH-ACCR	10018SH-ACCR	1.00	0.54	1.50	30.3
SE1272T11HT	1272-T11 ACCR	1.350	34.32	871.73	10048AH-ACCR	10018SH-ACCR	1.30	0.66	2.00	32.0
SC1272T13HT	1272-T13 ACCR	1.381	36.38	924.05	10048AH-ACCR	10020SH-ACCR	1.30	0.66	2.00	39.8
SE1272T09HT	1272-T9 ACCR	1.382	33.69	855.73	10048AH-ACCR	10016SH-ACCR	1.30	0.66	2.00	32.7
SE1085T37HT	1085-T37 ACCR	1.408	46.31	1176.27	10048AH-ACCR	10024SH-ACCR	1.30	0.66	2.00	33.1
SC1351T13HT	1351-T13 ACCR	1.415	36.38	924.05	10048AH-ACCR	10020SH-ACCR	1.00	0.54	1.54	39.8
SC1622TWT13HT	1622-T13 ACCR/TW	1.417	36.38	924.05	C9813-10049AH-ACCR	10020SH-ACCR	1.00	0.51	1.50	45.2
SC1403T15HT	1403-T15 ACCR	1.464	36.38	924.05	10050AH-ACCR	10020SH-ACCR	1.00	0.51	1.50	45.2
SE1538T15HT	1538-T15 ACCR	1.530	38.46	976.88	10050AH-ACCR	10022SH-ACCR	1.00	0.51	1.50	46.1
SC1590T11HT	1590-T11 ACCR	1.532	36.38	924.05	10048AH-ACCR	10020SH-ACCR	1.00	0.54	1.54	39.8
SC1742T09HT	1742-T09 ACCR	1.588	36.38	924.05	10050AH-ACCR	10020SH-ACCR	1.00	0.51	1.50	45.2

* Weight includes terminal. Contact AFL for adjustable dead end options.

Compression Dead End for 3M ACCR



Compression Eye Dimension Detail



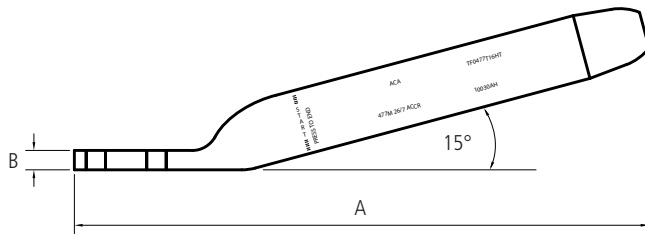
Compression Clevis Dimension Detail

CATALOG NUMBER	CONDUCTOR		DIMENSIONS IN INCHES										
	SIZE	DIA	C	D	E	F	G	H	K	L	M	N	P
SE0155TWT25HT	155-T25 ACCR/TW	0.471	2.13	0.88	0.81	2.50	0.69	—	—	—	—	—	—
SE0131T58HT	131-T58 ACCR	0.523	2.12	0.88	0.81	2.50	0.69	—	—	—	—	—	—
SE0245TWT20HT	245-T20 ACCR/TW	0.576	2.13	0.88	0.81	2.50	0.69	—	—	—	—	—	—
SE0207T23HT	207-T23 ACCR	0.582	2.13	0.88	0.81	2.50	0.69	—	—	—	—	—	—
SE0236T16HT	236-T16 ACCR	0.603	3.00	1.25	1.00	2.62	0.88	—	—	—	—	—	—
SE0237T23HT	237-T23 ACCR	0.622	2.13	0.88	0.81	2.50	0.69	—	—	—	—	—	—
SE0162T81HT	162-T81 ACCR	0.623	2.62	1.25	0.88	2.69	0.75	—	—	—	—	—	—
SE0267T16HT	267-T16 ACCR	0.630	2.13	0.88	0.81	2.50	0.69	—	—	—	—	—	—
SE0267T23HT	267-T23 ACCR	0.660	2.13	0.88	0.81	2.50	0.69	—	—	—	—	—	—
SE0300T16HT	300-T16 ACCR	0.680	2.13	0.88	0.81	2.50	0.69	—	—	—	—	—	—
SE0270T35HT	270-T35 ACCR	0.693	2.62	1.25	0.88	2.69	0.75	—	—	—	—	—	—
SC0183T114HT	183-T114 ACCR	0.719	—	—	—	—	—	2.81	1.62	6.00	1.12	1.75	3.50
SE0336T16HT	336-T16 ACCR	0.724	2.13	0.88	0.81	2.50	0.69	—	—	—	—	—	—
SE0373T13HT	373-T13 ACCR	0.748	2.13	0.88	0.81	2.50	0.69	—	—	—	—	—	—
SE0382T16HT	382-T16 ACCR	0.768	2.13	0.88	0.81	2.50	0.69	—	—	—	—	—	—
SE0427T13HT	427-T13 ACCR	0.800	2.62	1.25	0.88	2.69	0.75	—	—	—	—	—	—
SE0397T23HT	397-T23 ACCR	0.809	2.62	1.25	0.94	2.69	0.75	—	—	—	—	—	—
SE0477T16HT	477-T16 ACCR	0.858	2.62	1.25	0.88	2.69	0.75	—	—	—	—	—	—
SE0477T13HT	477-T13 ACCR	0.860	2.62	1.25	0.88	2.69	0.75	—	—	—	—	—	—
SE0590TWT13HT	590-T13 ACCR/TW	0.860	2.62	1.25	0.88	2.69	0.75	—	—	—	—	—	—
SE0675TWT11HT	675-T11 ACCR/TW	0.902	2.62	1.25	0.88	2.69	0.75	—	—	—	—	—	—
SE0477T23HT	477-T23 ACCR	0.903	2.62	1.25	0.94	2.69	0.75	—	—	—	—	—	—
SE0665TWT16HT	665-T16 ACCR/TW	0.919	2.62	1.25	0.94	2.69	0.75	—	—	—	—	—	—
SE0557T16HT	557-T16 ACCR	0.941	2.62	1.25	0.94	2.69	0.75	—	—	—	—	—	—
SE0605T13HT	605-T13 ACCR	0.941	2.62	1.25	0.88	2.69	0.75	—	—	—	—	—	—
SE0636T10HT	636-T10 ACCR	0.962	2.62	1.25	0.88	2.62	1.00	—	—	—	—	—	—
SE0557T23HT	557-T23 ACCR	0.970	2.62	1.25	0.88	2.62	1.00	—	—	—	—	—	—
SE0636T16HT	636-T16 ACCR	0.990	2.62	1.25	0.94	2.69	0.75	—	—	—	—	—	—
SE0636T16HTSP1	636-T16 ACCR	0.990	2.62	1.25	0.94	2.69	0.75	—	—	—	—	—	—
SE0795TWT13HT	795-T13 ACCR/TW	0.992	3.25	1.25	1.12	2.62	1.00	—	—	—	—	—	—
SE0763TWT17HT	763-T17 ACCR/TW	0.996	3.25	1.25	1.12	2.62	1.00	—	—	—	—	—	—
SE0680T19HT	680-T19 ACCR	1.039	2.62	1.25	0.88	2.69	0.75	—	—	—	—	—	—

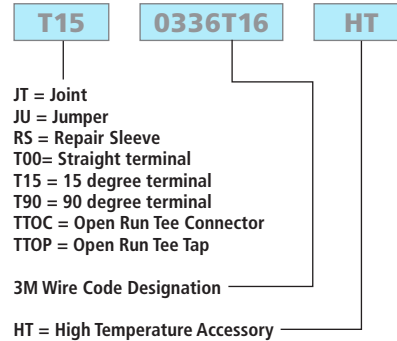
Compression Dead End for 3M ACCR

CATALOG NUMBER	CONDUCTOR		DIMENSIONS IN INCHES										
	SIZE	DIA	C	D	E	F	G	H	K	L	M	N	P
SE0715T13HT	715-T13 ACCR	1.040	2.62	1.25	0.94	2.69	0.75	—	—	—	—	—	—
SE0715T16HT	715-T16 ACCR	1.050	2.62	1.25	0.94	2.69	0.75	—	—	—	—	—	—
SE0780T10HT	780-T10 ACCR	1.067	2.62	1.25	0.88	2.69	0.75	—	—	—	—	—	—
SC0958TWT16HT	958-T16 ACCR/TW	1.099	—	—	—	—	—	3.69	1.56	2.88	1.25	1.44	2.88
SE0958TWT16HT	958-T16 ACCR/TW	1.099	3.25	1.25	1.12	2.69	1.00	—	—	—	—	—	—
SE0795T16HT	795-T16 ACCR	1.108	3.25	1.25	1.12	2.62	1.00	—	—	—	—	—	—
SE0795T13HT	795-T13 ACCR	1.112	3.25	1.25	1.12	2.62	1.00	—	—	—	—	—	—
SE1033TWT13HT	1033-T13 ACCR/TW	1.129	3.25	1.25	1.12	2.62	1.00	—	—	—	—	—	—
SE0558T73HT	558-T73 ACCR	1.132	4.41	1.91	1.73	3.57	1.25	—	—	—	—	—	—
SC0788T26HT	788-T26 ACCR	1.151	—	—	—	—	—	2.81	1.62	6.00	1.12	1.75	3.50
SE0951T10HT	951-T10 ACCR	1.178	2.62	1.25	0.94	2.69	0.75	—	—	—	—	—	—
SE0668T61HT	668-T61 ACCR	1.195	4.41	1.91	1.73	3.57	1.25	—	—	—	—	—	—
SE0954T13HT	954-T13 ACCR	1.200	3.25	1.25	1.12	2.69	1.00	—	—	—	—	—	—
SE1158TWT13HT	1158-T13 ACCR/TW	1.201	3.25	1.25	1.12	2.62	1.00	—	—	—	—	—	—
SE1059T09HT	1059-T9 ACCR	1.238	3.25	1.25	1.25	2.62	1.00	—	—	—	—	—	—
SE1033T13HT	1033-T13 ACCR	1.240	3.25	1.25	1.12	2.62	1.00	—	—	—	—	—	—
SE1113T13HT	1113-T13 ACCR	1.290	3.25	1.25	1.12	2.62	1.00	—	—	—	—	—	—
SE1272T11HT	1272-T11 ACCR	1.350	3.25	1.25	1.12	2.62	1.00	—	—	—	—	—	—
SC1272T13HT	1272-T13 ACCR	1.381	—	—	—	—	—	3.69	1.56	2.88	1.25	1.44	2.88
SE1272T09HT	1272-T9 ACCR	1.382	2.62	1.25	0.94	2.69	0.75	—	—	—	—	—	—
SE1085T37HT	1085-T37 ACCR	1.408	4.41	1.91	1.73	3.57	1.25	—	—	—	—	—	—
SC1351T13HT	1351-T13 ACCR	1.415	—	—	—	—	—	3.69	1.56	2.88	1.25	1.44	2.88
SC1622TWT13HT	1622-T13 ACCR/TW	1.417	—	—	—	—	—	3.69	1.56	2.88	1.25	1.44	2.88
SC1403T15HT	1403-T15 ACCR	1.464	—	—	—	—	—	3.69	1.56	2.88	1.25	1.44	2.88
SE1538T15HT	1538-T15 ACCR	1.530	4.50	1.75	1.38	3.62	1.38	—	—	—	—	—	—
SC1590T11HT	1590-T11 ACCR	1.532	—	—	—	—	—	3.69	1.56	2.88	1.25	1.44	2.88
SC1742T09HT	1742-T09 ACCR	1.588	—	—	—	—	—	3.69	1.56	2.88	1.25	1.44	2.88

15° Terminal (T15) for 3M™ ACCR



Catalog Number Configuration for Terminals, Joints, Jumpers, Repair Sleeves & Taps



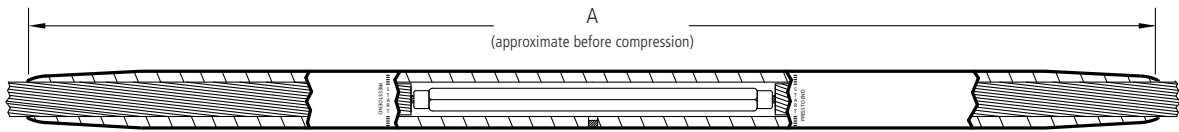
ORDERING EXAMPLE: T150336T16HT
 15° Terminal for conductor code "0336T16", high temperature.

CATALOG NUMBER	CONDUCTOR SIZE	DIMENSION				AFCHT COMPOUND (LBS.)	DIE SIZE	WEIGHT (LBS.)
		A		B				
		IN	MM	IN	MM			
T150155TWT25HT	155-T25 ACCR/TW	16.19	411.23	0.41	10.41	0.12	10024AH-ACCR	2.5
T150131T58HT	131-T58 ACCR	16.19	411.23	0.41	10.41	0.10	10024AH-ACCR	2.5
T150195T20HT	195-T20 ACCR	16.19	411.23	0.41	10.41	0.30	10024AH-ACCR	2.2
T150245TWT20HT	245-T20 ACCR/TW	16.19	411.23	0.41	10.41	0.30	10024AH-ACCR	7.2
T150236T16HT	236-T16 ACCR	16.19	411.23	0.41	10.41	0.30	10024AH-ACCR	2.2
T150267T23HT	267-T23 ACCR	16.19	411.23	0.41	10.41	0.10	10024AH-ACCR	2.5
T150270T35HT	270-T35 ACCR	17.00	431.80	0.56	14.22	0.30	10030AH-ACCR	3.2
T150183T114HT	183-T114 ACCR	16.19	411.23	0.41	10.41	0.30	10024AH-ACCR	2.0
T150373T13HT	373-T13 ACCR	16.19	411.23	0.41	10.41	0.10	10027AH-ACCR	2.5
T150382T16HT	382-T16 ACCR	17.00	431.80	0.50	12.70	0.30	10027AH-ACCR	3.1
T150427T13HT	427-T13 ACCR	17.00	431.80	0.56	14.22	0.30	C9813-10029AH-ACCR	3.2
T150397T23HT	397-T23 ACCR	17.00	431.80	0.56	14.22	0.30	10030AH-ACCR	3.2
T150477T16HT	477-T16 ACCR	17.00	431.80	0.56	14.22	0.30	10030AH-ACCR	3.2
T150477T13HT	477-T13 ACCR	17.00	431.80	0.56	14.22	0.30	10030AH-ACCR	3.2
T150590TWT13HT	590-T13 ACCR/TW	17.00	431.80	0.56	14.22	0.30	10030AH-ACCR	3.2
T150675TWT11HT	675-T11 ACCR/TW	18.19	462.03	0.62	15.75	0.30	10034AH-ACCR	4.5
T150477T23HT	477-T23 ACCR	18.19	462.03	0.62	15.75	0.25	10036AH-ACCR	4.2
T150665TWT16HT	665-T16 ACCR/TW	18.19	462.03	0.62	15.75	0.30	10034AH-ACCR	4.2
T150557T16HT	557-T16 ACCR	18.19	462.03	0.62	15.75	0.30	10034AH-ACCR	4.2
T150605T13HT	605-T13 ACCR	18.19	462.03	0.62	15.75	0.30	10034AH-ACCR	4.2
T150636T10HT	636-T10 ACCR	18.19	462.03	0.62	15.75	0.30	10036AH-ACCR	4.2
T150557T23HT	557-T23 ACCR	18.19	462.03	0.62	15.75	0.30	10036AH-ACCR	4.2
T150636T16HT	636-T16 ACCR	18.19	462.03	0.62	15.75	0.30	10034AH-ACCR	4.2
T150795TWT13HT	795-T13 ACCR/TW	21.50	546.10	0.69	17.53	0.54	10040AH-ACCR	8.1
T150763TWT17HT	763-T17 ACCR/TW	21.50	546.10	0.69	17.53	0.54	10040AH-ACCR	8.2
T150680T19HT	680-T19 ACCR	19.00	482.60	0.62	15.75	0.10	10036AH-ACCR	5.3
T150715T13HT	715-T13 ACCR	18.19	462.03	0.62	15.75	0.30	10034AH-ACCR	4.2
T150715T16HT	715-T16 ACCR	18.19	462.03	0.62	15.75	0.30	10034AH-ACCR	4.2

15° Terminal (T15) for 3M™ ACCR

CATALOG NUMBER	CONDUCTOR SIZE	DIMENSION				AFCHT COMPOUND (LBS.)	DIE SIZE	WEIGHT (LBS.)
		A		B				
		IN	MM	IN	MM			
T150681TWT43HT	681-T43 ACCR/TW	22.50	571.50	0.72	18.29	0.62	10044AH-ACCR	8.6
T150780T10HT	780-T10 ACCR	18.19	462.03	0.62	15.75	0.30	10034AH-ACCR	4.2
T150958TWT16HT	958-T16 ACCR/TW	23.00	584.20	0.72	18.29	0.61	10042AH-ACCR	8.6
T150795T16HT	795-T16 ACCR	21.50	546.10	0.69	17.53	0.54	10040AH-ACCR	8.1
T150795T13HT	795-T13 ACCR	21.50	546.10	0.69	17.53	0.54	10040AH-ACCR	8.1
T151033TWT13HT	1033-T13 ACCR/TW	22.50	571.50	0.72	18.29	0.62	10044AH-ACCR	8.6
T150558T73HT	558-T73 ACCR	21.50	546.10	0.69	17.53	0.54	10040AH-ACCR	8.1
T150788T26HT	788-T26 ACCR	22.38	568.45	0.72	18.29	0.61	10042AH-ACCR	8.6
T150951T10HT	951-T10 ACCR	22.38	568.45	0.72	18.29	0.61	10042AH-ACCR	8.6
T150668T61HT	668-T61 ACCR	25.00	635.00	0.81	20.57	0.71	10048AH-ACCR	10.5
T150954T13HT	954-T13 ACCR	22.38	568.45	0.72	18.29	0.61	10042AH-ACCR	8.6
T151158TWT13HT	1158-T13 ACCR/TW	22.50	571.50	0.72	18.29	0.62	10044AH-ACCR	8.6
T151059T09HT	1059-T9 ACCR	22.50	571.50	0.72	18.29	0.62	10044AH-ACCR	8.6
T151033T13HT	1033-T13 ACCR	22.50	571.50	0.72	18.29	0.62	10044AH-ACCR	8.6
T150774T53HT	774-T53 ACCR	-	-	-	-	0.76	10050AH-ACCR	-
T151113T13HT	1113-T13 ACCR	22.50	571.50	0.72	18.29	0.62	10044AH-ACCR	8.6
T151272T13HT	1272-T13 ACCR	25.00	635.00	0.81	20.57	0.71	10048AH-ACCR	10.5
T151272T11HT	1272-T11 ACCR	25.00	635.00	0.81	20.57	0.71	10048AH-ACCR	10.5
T151272T09HT	1272-T9 ACCR	25.00	635.00	0.81	20.57	0.71	10048AH-ACCR	10.5
T151085T37HT	1085-T37 ACCR	25.00	635.00	0.81	20.57	0.66	10048AH-ACCR	10.5
T151622TWT13HT	1622-T13 ACCR/TW	25.00	635.00	0.81	20.57	0.66	C9813-10049AH-ACCR	11.5
T151403T15HT	1403-T15 ACCR	25.00	635.00	0.81	20.57	0.66	10050AH-ACCR	11.5
T151351T13HT	1351-T13 ACCR	25.00	635.00	0.81	20.57	0.50	10048AH-ACCR	10.5
T151590T11HT	1590-T11 ACCR	25.00	635.00	0.81	20.57	0.50	10048AH-ACCR	10.5
T151590T13HT	1590-T13 ACCR	25.00	635.00	0.81	20.57	0.50	10048AH-ACCR	10.5
T151742T09HT	1742-T9 ACCR	25.00	635.00	0.81	20.57	0.54	10050AH-ACCR	11.5

Compression Joint for 3M ACCR



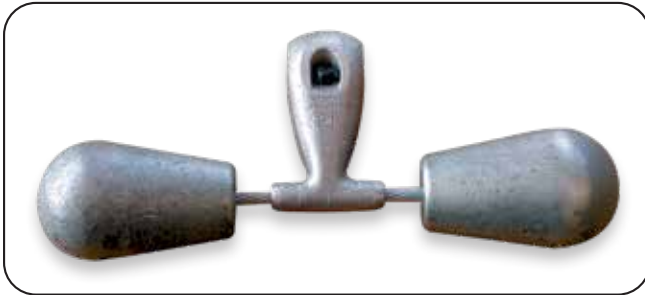
CATALOG NUMBER	CONDUCTOR		DIMENSION		DIE SIZE		AFCHT COMPOUND (LBS.)	WEIGHT (LBS.)
	SIZE	DIA	A		ALUM.	STEEL		
			IN	MM				
JT0155TWT25HT	155-T25 ACCR/TW	0.471	34.24	869.70	10024AH-ACCR	10014SH-ACCR	1.0	5.3
JT0131T58HT	131-T58 ACCR	0.523	35.74	907.80	10024AH-ACCR	10014SH-ACCR	0.1	5.2
JT0245TWT20HT	245-T20 ACCR/TW	0.576	37.24	945.90	10024AH-ACCR	10014SH-ACCR	1.0	5.4
JT0207T23HT	207-T23 ACCR	0.582	35.74	907.80	10024AH-ACCR	10014SH-ACCR	0.1	5.2
JT0236T16HT	236-T16 ACCR	0.603	40.50	1028.70	10036AH-ACCR	10014SH-ACCR	1.2	14.0
JT0237T23HT	237-T23 ACCR	0.622	34.24	869.70	10024AH-ACCR	10012SH-ACCR	1.0	5.2
JT0162T81HT	162-T81 ACCR	0.623	38.00	965.20	10030AH-ACCR	10016SH-ACCR	1.0	8.5
JT0267T16HT	267-T16 ACCR	0.630	34.24	869.70	10024AH-ACCR	10014SH-ACCR	1.0	5.2
JT0267T23HT	267-T23 ACCR	0.660	34.24	869.70	10024AH-ACCR	10014SH-ACCR	1.0	5.2
JT0300T16HT	300-T16 ACCR	0.680	34.24	869.70	10024AH-ACCR	10014SH-ACCR	1.0	5.2
JT0270T35HT	270-T35 ACCR	0.693	41.00	1041.40	10030AH-ACCR	10014SH-ACCR	1.0	8.9
JT0183T114HT	183-T114 ACCR	0.719	39.75	1009.65	10034AH-ACCR	10020SH-ACCR	1.0	12.4
JT0336T16HT	336-T16 ACCR	0.724	34.24	869.70	10024AH-ACCR	10012SH-ACCR	1.0	5.2
JT0373T13HT	373-T13 ACCR	0.748	39.26	997.20	10027 AH-ACCR	10014SH-ACCR	0.1	6.7
JT0382T16HT	382-T16 ACCR	0.768	39.26	997.20	10027 AH-ACCR	10014SH-ACCR	0.1	6.7
JT0427T13HT	427-T13 ACCR	0.800	38.00	965.20	C9813-10029AH-ACCR	10014SH-ACCR	1.0	8.5
JT0397T23HT	397-T23 ACCR	0.809	38.00	965.20	10030AH-ACCR	10016SH-ACCR	1.0	8.5
JT0477T16HT	477-T16 ACCR	0.858	38.00	965.20	10030AH-ACCR	10014SH-ACCR	1.0	8.5
JT0605T13HT	605-T13 ACCR	0.858	39.75	1009.65	10034AH-ACCR	10014SH-ACCR	1.0	11.1
JT0477T13HT	477-T13 ACCR	0.860	38.00	965.20	10030AH-ACCR	10014SH-ACCR	1.0	8.5
JT0590TWT13HT	590-T13 ACCR/TW	0.860	38.00	965.20	10030AH-ACCR	10014SH-ACCR	1.0	8.5
JT0675TWT11HT	675-T11 ACCR	0.902	39.75	1009.65	10034AH-ACCR	10014SH-ACCR	1.0	11.1
JT0477T23HT	477-T23 ACCR	0.903	44.00	1117.60	10036AH-ACCR	10016SH-ACCR	1.2	15.6
JT0665TWT16HT	665-T16 ACCR/TW	0.919	40.50	1028.70	10034AH-ACCR	10016SH-ACCR	1.0	11.1
JT0557T16HT	557-T16 ACCR	0.941	39.75	1009.65	10034AH-ACCR	10016SH-ACCR	1.0	11.1
JT0636T10HT	636-T10 ACCR	0.962	40.50	1028.70	10036AH-ACCR	10014SH-ACCR	1.2	14.0
JT0557T23HT	557-T23 ACCR	0.970	40.50	1028.70	10036AH-ACCR	10018SH-ACCR	1.2	14.0
JT0636T16HT	636-T16 ACCR	0.990	39.75	1009.65	10034AH-ACCR	10016SH-ACCR	1.0	11.1
JT0795TWT13HT	795-T13 ACCR/TW	0.992	42.00	1066.80	10040AH-ACCR	10016SH-ACCR	1.5	16.0
JT0763TWT17HT	763-T17 ACCR/TW	0.996	42.00	1066.80	10040AH-ACCR	10018SH-ACCR	1.5	16.2
JT0680T19HT	680-T19 ACCR	1.039	40.50	1028.70	10036AH-ACCR	10016SH-ACCR	1.2	14.0
JT0715T13HT	715-T13 ACCR	1.040	39.75	1009.65	10034AH-ACCR	10016SH-ACCR	1.0	11.1
JT0715T16HT	715-T16 ACCR	1.050	39.75	1009.65	10034AH-ACCR	10016SH-ACCR	1.0	11.1
JT0780T10HT	780-T10 ACCR	1.067	39.75	1009.65	10034AH-ACCR	10014SH-ACCR	1.0	11.1
JT0958TWT16HT	958-T16 ACCR/TW	1.099	50.50	1282.70	10042AH-ACCR	10020SH-ACCR	1.5	27.2
JT0795T16HT	795-T16 ACCR	1.108	42.00	1066.80	10040AH-ACCR	10018SH-ACCR	1.5	16.0
JT0795T13HT	795-T13 ACCR	1.112	42.00	1066.80	10040AH-ACCR	10016SH-ACCR	1.5	16.0
JT1033TWT13HT	1033-T13 ACCR/TW	1.129	47.00	1193.80	10044AH-ACCR	10018SH-ACCR	1.5	22.0
JT0788T26HT	788-T26 ACCR	1.151	50.00	1270.00	10042AH-ACCR	10020SH-ACCR	1.5	21.3
JT0951T10HT	951-T10 ACCR	1.151	50.00	1270.00	10042AH-ACCR	10016SH-ACCR	1.5	27.0
JT0668T61HT	668-T61 ACCR	1.195	65.76	1670.30	10048AH-ACCR	10024SH-ACCR	1.7	38.9
JT0954T13HT	954-T13 ACCR	1.200	44.75	1136.65	10042AH-ACCR	10018SH-ACCR	1.2	19.1

Compression Joint for 3M ACCR

CATALOG NUMBER	CONDUCTOR		DIMENSION		DIE SIZE		AFCHT COMPOUND (LBS.)	WEIGHT (LBS.)
	SIZE	DIA	A		ALUM.	STEEL		
			IN	MM				
JT1158TWT13HT	1158-T13 ACCR/TW	1.201	47.00	1193.80	10044AH-ACCR	10018SH-ACCR	1.5	22.0
JT1059T09HT	1059-T9 ACCR	1.238	47.00	1193.80	10044AH-ACCR	10016SH-ACCR	1.5	22.0
JT1033T13HT	1033-T13 ACCR	1.240	47.00	1193.80	10044AH-ACCR	10018SH-ACCR	1.5	22.0
JT0774T53HT	774-T53 ACCR	1.254	-	-	10050AH-ACCR	10024SH-ACCR	6.0	-
JT1113T13HT	1113-T13 ACCR	1.290	47.00	1193.80	10044AH-ACCR	10018SH-ACCR	1.5	22.0
JT1272T11HT	1272-T11 ACCR	1.350	48.26	1225.80	10048AH-ACCR	10018SH-ACCR	2.0	25.4
JT1272T13HT	1272-T13 ACCR	1.381	48.26	1225.80	10048AH-ACCR	10020SH-ACCR	2.0	26.4
JT1272T09HT	1272-T9 ACCR	1.382	46.76	1187.70	10048AH-ACCR	10016SH-ACCR	1.5	26.0
JT1085T37HT	1085-T37 ACCR	1.408	65.76	1670.30	10048AH-ACCR	10024SH-ACCR	1.7	38.9
JT1351T13HT	1351-T13 ACCR	1.415	48.26	1225.80	10048AH-ACCR	10020SH-ACCR	1.2	25.8
JT1622TWT13HT	1622-T13 ACCR/TW	1.417	50.50	1282.70	C9813-10049AH-ACCR	10020SH-ACCR	1.4	29.5
JT1403T15HT	1403-T15 ACCR	1.464	50.50	1282.70	10050AH-ACCR	10020SH-ACCR	1.4	29.5
JT1538T15HT	1538-T15 ACCR	1.530	55.00	1397.00	10050AH-ACCR	10022SH-ACCR	2.0	32.8
JT1590T11HT	1590-T11 ACCR	1.532	48.26	1225.80	10048AH-ACCR	10020SH-ACCR	1.2	25.8
JT1742T09HT	1742-T9 ACCR	1.588	50.50	1282.70	10050AH-ACCR	10020SH-ACCR	1.5	28.3

Transmission Conductor Vibration Dampers

Stockbridge Type — 1700 Series



Designed to eliminate the damage caused by aeolian vibration, AFL's Stockbridge Damper is the most efficient way to extend the life of a transmission line.

What is Aeolian Vibration?

Aeolian vibration is a high frequency motion that occurs when a smooth, steady crosswind blows on aerial cables. This laminar wind creates vortices, which are detached at regular intervals on the leeward side, alternating from top and bottom of the cable. The detachments create vertical forces causing the cable to vibrate standing waves generally in high harmonic modes. The primary factors affecting aeolian vibration are span length, tension and impedance. The amount of energy imparted to a cable varies directly with the span length. With increasing tension, the tendency of a cable to vibrate rises rapidly as its self-dampening ability reduces. Impedance is determined by the mechanical and material properties of the cable.

The first aeolian vibration fatigue failures of stranded conductor were reported in 1917. George Stockbridge of Southern California Edison first developed dampers in 1928. During this same time frame, AFL erected an outdoor test span and indoor laboratory for the study of vibration. These expanded facilities, along with more than 70 years of research and experience, have assisted AFL in understanding the theory of vibration and its control. Aeolian vibration still occurs and causes damage to conductors, hardware and towers. AFL Stockbridge Dampers dissipate this damaging force of nature.

Features

Wide Vibration and Voltage Coverage

AFL's Stockbridge Damper has two natural frequency modes, commonly known as 'flying' and 'wiggling'. AFL uses a specially designed 19 strand messenger wire allowing the damper to dissipate vibration, or 'wake up', at lower energy inputs. The two frequency modes combined with the 19 strand messenger wire give the Stockbridge Damper the widest range of vibration coverage in the industry. Damper assemblies with catalog weights of 1706 and larger can be used at 345 kV and above.

Pressed Clamp and Weights

The Stockbridge Damper clamp and weights are pressed onto the messenger wire, as opposed to being cast or welded. The pressing operation does not alter the physical or mechanical characteristics of the messenger wire. Casting or welding anneals the messenger, compromising its performance.

No Special Tools Needed with Breakaway Bolt Option

With the breakaway bolt, no special tools or torque wrench is needed. Simply tighten the bolt until the head shears off. This means proper torque has been achieved.

Vibrec™ Damper Recommendation Program

The Vibrec damper recommendation program assists in damper requirements for transmission and distribution lines.

High Temperature Applications

Special clamp design eliminates the need for installation over rods. Damper can be installed directly on the conductor.

For more information visit www.vibrec.com or contact the AFL Technical Support Team at 1.800.866.7385.



HiTemp® AFL Filler Compound (AFCHT™)

HiTemp AFL Filler Compound (AFCHT) is the recommended filler for compression fittings due to its ability to improve the mechanical holding strength and conductivity of the connection. The compound has been designed to withstand the increased temperatures of 3M ACCR conductor. Kept in a dry place, AFCHT has an infinite shelf life.

Application

Filler Compound for compression accessories installed on conductors operating at temperatures up to 250°C (482°F). Compression accessories includes: dead ends, joints, terminals and jumper connectors.

Features

Wide Temperature Tolerance

AFCHT has a wide temperature tolerance, is workable at low temperatures and does not drip at high temperatures. The melting point is above 250°C (482°F).

Improves Holding Strength and Conductivity

AFCHT contains hard metallic particles, otherwise known as "grit." During compression, the compound grit is embedded between the conductor and the accessory, creating an irregular surface. This irregular surface has two features: (1) increases the holding strength when tension is applied and (2) improves conductivity by forming a bare metal to metal connection.

Moisture Resistant

As the accessory is compressed, AFCHT is forced between the conductor strands, sealing out the harmful effects of water.

Fits Standard Caulking Gun

For easy filling of compression accessories, AFCHT is available in a tube that fits a standard caulking gun.

Ordering Information

CATALOG NUMBER	PACKAGING
AFCHT10T	Carton of 10, 1 lb. (451 g) Tubes - Fits Standard Caulking Gun
AFCHT1GAL	1 Gallon Pail, 11 lbs. (5 kg)
AFCHT5GAL	5 Gallon Pail, 55 lbs. (25 kg)



30GHR Gas Hydraulic Pump

The 30GHR is a gas-powered pump that produces 10,000 PSI of hydraulic pressure. With an unloading pressure at 1,000 PSI, the two-stage pumping system allows for rapid ram advance. The 30GHR comes with a remote control and 10' cord and is designed for continuous duty.

Features

- 10,000 PSI high-pressure pump powered by a 5.5 HP Honda engine
- Remote control with 10' cord
- Designed to operate single-acting and double-acting tools
- High-pressure relief valve
- Sight gauge to monitor hydraulic oil level
- Pressure-matched quick coupler supplied
- Protective carrying cage

Technical Data

PARAMETER	VALUE
Gas Powered Motor	5.5 HP Honda Engine
Control	Remote Control with 10 foot cord
Oil Delivery per minute	430 cu in @ 400 PSI
	125 cu in @ 10,000 PSI
Oil Reservoir	2 gallons (7.40 liters)
Overall Length	21.75 in (55.25 cm)
Overall Width	19.75 in (50.17 cm)
Overall Height	24.50 in (62.23 cm)
Pump Weight with oil	135 lbs (61.36 kg)

Ordering Information

CATALOG NUMBER	DESCRIPTION
30GHR	10,000 PSI Gas Powered Hydraulic Pump with Remote Control

WARNING: Do not operate any compression tool without dies.



100A Hydraulic Press

The 100A Single or Double Acting Press is designed for the installation of compression fittings. The 100A develops 100 tons of force at 10,000 PSI. A special piston facilitates operation in single or double acting mode. Redesigned for portability, the 100A Hydraulic Press now weighs 95 pounds.

Features

- 100 tons of force
- Larger capacity for transmission and distribution applications
- Easy die installation
- Carrying handles for portability
- Capacity for all "U" or shell-type dies
- Metal carrying case
- Pressure matched quick coupler supplied
- Double acting conversion kit included
- Suspension eye supplied

Technical Data

PARAMETER	VALUE
Crimping Force	100 US Tons (90.8 Metric Tons)
Operating Pressure	10,000 PSI - 70,000 kPa (700 bar)
Crimp Capacity - in. (cm)	Up to 3.25 (8.26) conductor dia.
Dimensions - in. (cm)	8.25 (20.96)
Overall Height	15.00 in (38.10 cm)
Tool Weight	95.0 lbs (43.2 kg)

Ordering Information

CATALOG NUMBER	DESCRIPTION
100A	100 Ton Single/Double Acting Press with Metal Case

WARNING: Do not operate any compression tool without dies.



Hydraulic Hoses

The 1/4" (0.635 cm) non-conductive, orange hose is made of an insulated, synthetic material, allowing a high flow rate for faster ram movement. Hoses are available with or without couplers for operating pressures of 10,000 PSI with a 4 to 1 burst ratio and are pre-filled with oil and pressure tested. The hoses are 3/8" NPT male thread on both ends and quick disconnects are 3/8" NPT female.

Ordering Information

CATALOG NUMBER	DESCRIPTION
6HOSEM/M	6 Foot Hose with Male/Male Couplers (1.83 Meters)
10HOSEM/M	10 Foot Hose with Male/Male Couplers (3.04 Meters)
15HOSEM/M	15 Foot Hose with Male/Male Couplers (4.37 Meters)
25HOSEM/M	25 Foot Hose with Male/Male Couplers (7.62 Meters)
6HOSEM/F	6 Foot Hose with Male/Female Couplers (1.83 Meters)
10HOSEM/F	10 Foot Hose with Male/Female Couplers (3.04 Meters)
15HOSEM/F	15 Foot Hose with Male/Female Couplers (4.37 Meters)
25HOSEM/F	25 Foot Hose with Male/Female Couplers (7.62 Meters)

WARNING: Hoses connecting hydraulic equipment should not extend straight upward more than 25 feet (7.6 meters).





AFL

www.AFLglobal.com