

DOSSERT® TYPE B6998 Series

Bolted Support, Slip or Fixed Fit
Recommended for Voltages Up to 765 kV

Support is designed to be corona free for 765 kV operation. Support can be supplied for fixed fit or slip fit applications. For slip fit application, stainless steel chatter springs are supplied. Aluminum mounting hardware is supplied as standard; galvanized steel can be furnished on request.

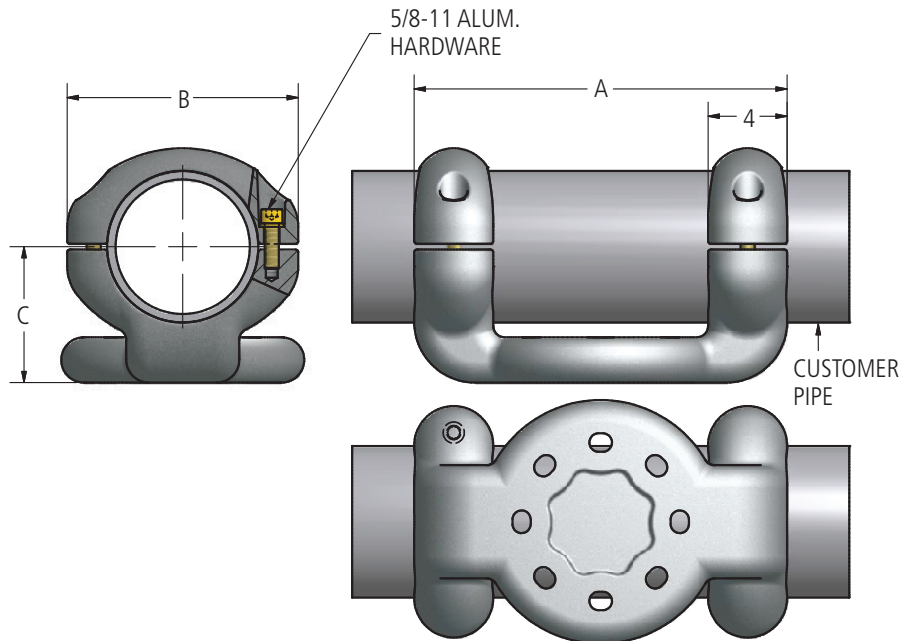


Material

Aluminum Alloy

Hardware

Yellow anodized aluminum bolts, nuts, and lockwashers.
Galvanized steel mounting hardware included.



Ordering Information

CATALOG NUMBERS	CONDUCTOR SIZE TUBULAR BUS SPS & EHPS	SLIP OR FIXED	BOLT CIRCLE	DIMENSIONS IN INCHES			NOMINAL WEIGHT LBS
				A	B	C	
B6998-A	6"	Fixed	7"	16.28	10.55	5.50	27.0
B6998-B	6"	Slip	7"	16.28	10.55	5.50	27.6
B6998-C	5"	Fixed	7"	16.50	9.62	5.00	25.0
B6998-D	5"	Slip	7"	16.50	9.62	5.00	25.6
B6998-E	8" O.D.	Fixed	7"	16.50	12.06	5.75	30.0
B6998-F	8" O.D.	Slip	7"	16.50	12.06	5.75	30.6
B6998-G	6"	Fixed	5"	14.50	10.55	5.50	26.5
B6998-H	6"	Slip	5"	14.50	10.55	5.50	27.7
B6998-K	6"	Fixed	3"	12.25	10.55	5.50	24.3