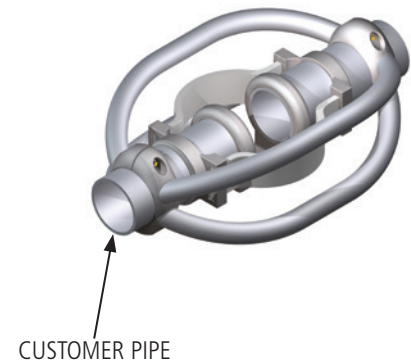


## DOSSERT® TYPE B7107 Series

### Welded Support, Expansion Type Recommended for Voltages Up to 765 kV

Expansion support is designed to be corona free for 765 KV operation. Expansion support is designed for maximum bus run of 150 feet (46 m) operating between a minimum temperature of -20°F (-28.9°C) and a maximum temperature of 200°F (93.3°C). Assembly consists of support, expansion straps, corona rings and hardware. Stainless steel chatter springs are supplied with corona ring and support assembly. Aluminum mounting hardware is supplied as standard, galvanized steel can be furnished on request. Weldment end plugs can be furnished if required.

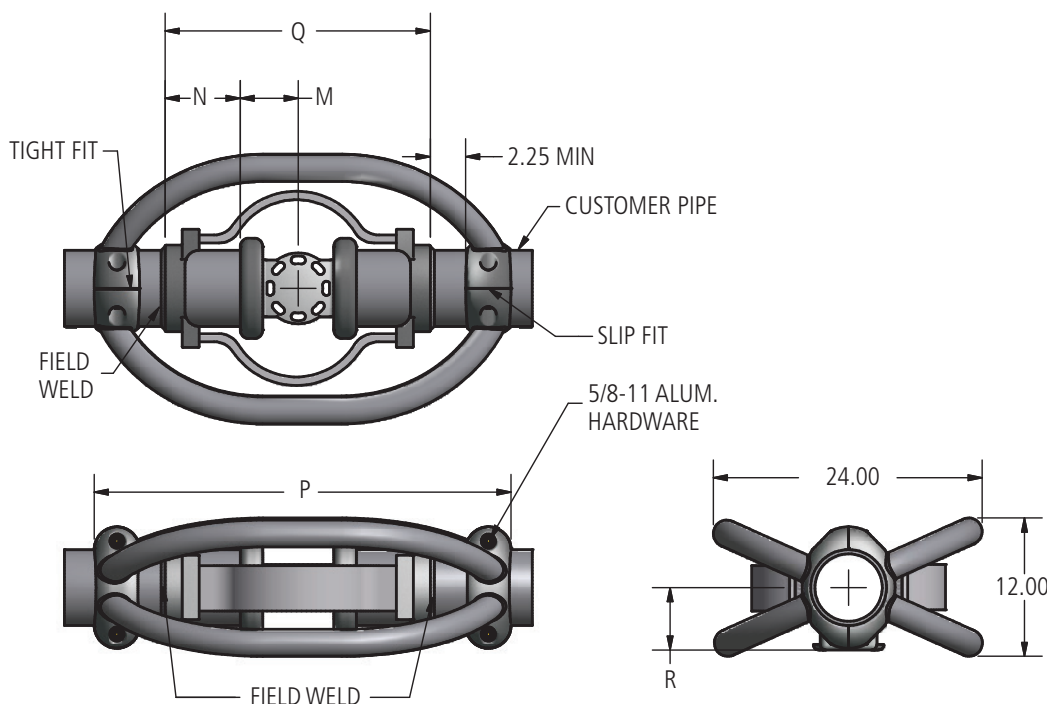


#### Material

Aluminum Alloy

#### Hardware

Yellow anodized aluminum bolts, nuts, and lockwashers.  
Galvanized steel mounting hardware included.



### Ordering Information

CATALOG NUMBERS	CONDUCTOR SIZE TUBULAR BUS SPS & EHPS	BOLT CIRCLE	DIMENSIONS IN INCHES					NOMINAL WEIGHT LBS
			M	N	P	Q	R	
B7107-A	6"	7"	5.25	4.81	36.75	23.38	5.50	66.6
B7107-B	6"	5"	4.12	5.94	36.75	23.38	5.50	64.3
B7107-C	5"	7"	6.38	4.00	37.34	20.75	5.00	45.4